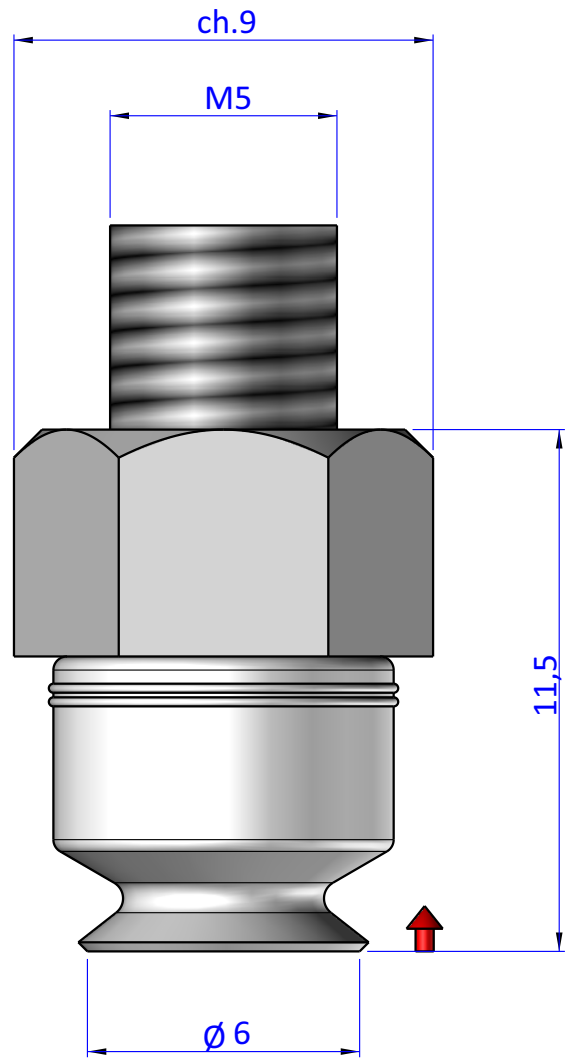
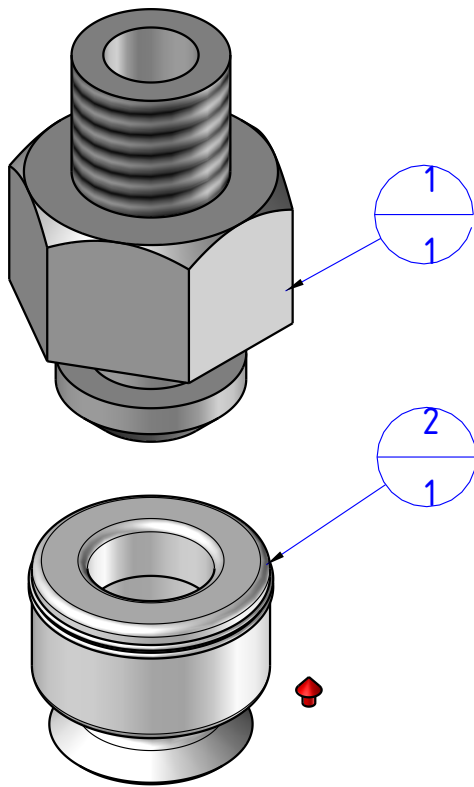


THE PROPERTY OF THE DRAWING IS ESTABLISHED BY LAW. IT IS FORBIDDEN TO PRODUCE OR SHOW IT TO THIRD PART. WITHOUT A WRITTEN AGREEMENT.

Item	Name	Q.ty
1	CA.08.09.014	1
2	CA.08.28.002	1



DESIGNED FROM
FPS Automation

REVIEW
A

DATE
18/11/2020

WEIGHT
0,001kg

Format **A4**

UNI 936-76

GENERAL TOLERANCE

UNI - ISO 2768

CLASSE f

DESCRIPTION

KIT.08.28.D06

CODE
KIT.08.28.D06